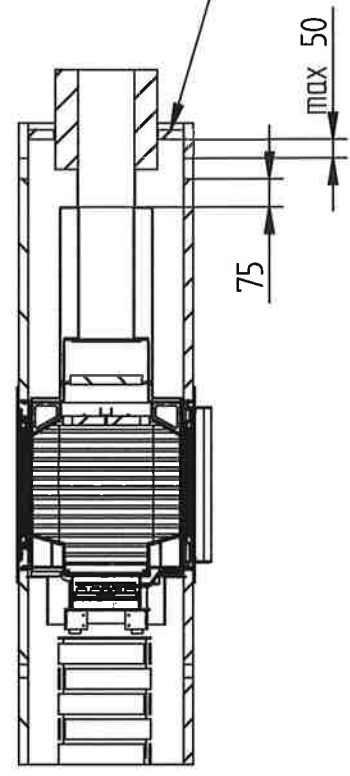
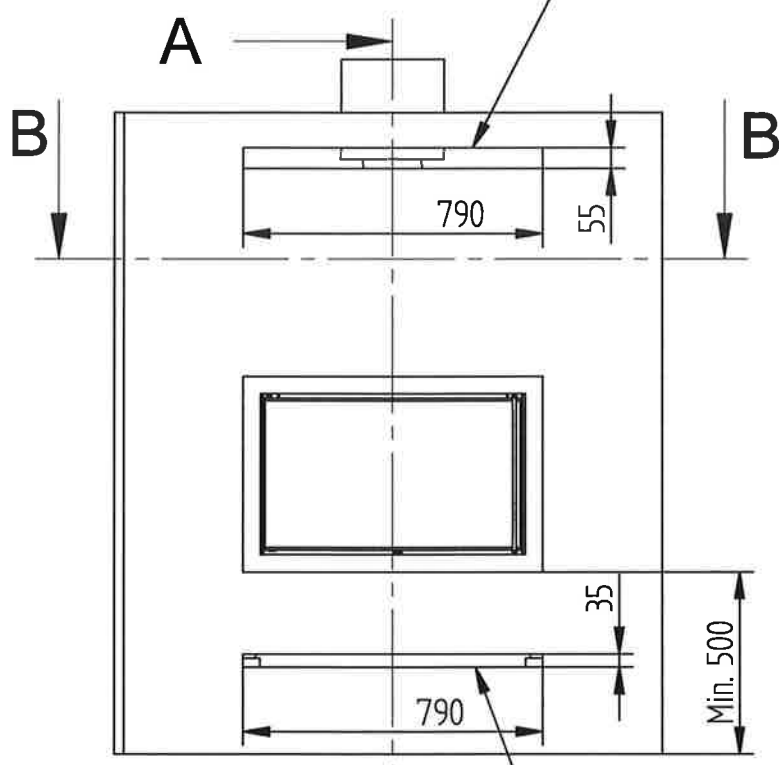


| | | | |
|---|---------------------|--|---|
| Jydepejsen® <small>Fire by Design, J. Brandt 1978</small> | Catalog page | Jydepejsen A/S Ahornsvinget 3-7 Nr. Felding, DK-7500 Holstebro Tlf. 96101200 Fax. 97425216 www.jydepejsen.com | |
| Model: | Sigma Duplex | Sheet/Sheets: | 1 / 1 Date: 23/01-2015 |

The total convection space above the stove is 869 cm² (2 x 434,5cm²)

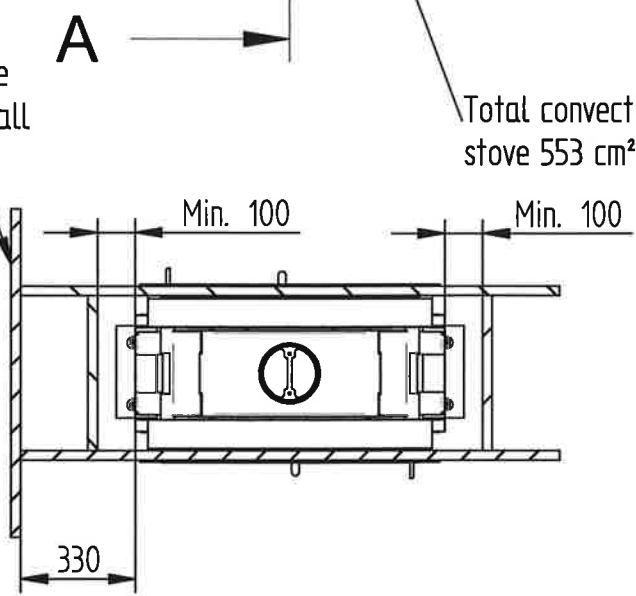
A panel to guide the warm air out of the convection opening



SECTION A-A

Total convection space under the stove 553 cm² (2 x 276,5cm²)

Combustible material/wall



SECTION B-B

The following material is used or buiding-in:
A steel lath with a 12,5 mm inflammable plate such as Danogips Aqua Panel (lambda value 0,36 W/mK) or an inflammable panel with equal properties.

Model:

Sigma Duplex

Sheet/Sheets: 1 / 1

Date: 26/01-2015

